



POS (POINT OF SALE) MACHINE



Overview

Elegant, fashionable and curved appearance, makes the usage occasion more diversified;

Concealed wiring, confined space for dust-proof, makes the operating environment more diversified;

Multiple screen sizes and extensible external equipments, makes customer's choices more diversified;

Fashionable black, ivory white two kinds of exterior color are optional, make vision more satisfactory.



SCENARIO APPLICATION



Super Market



Clothing Shop



Fruit Shop



Catering Industry



Dessert Shop



Baking



Coffee Shop



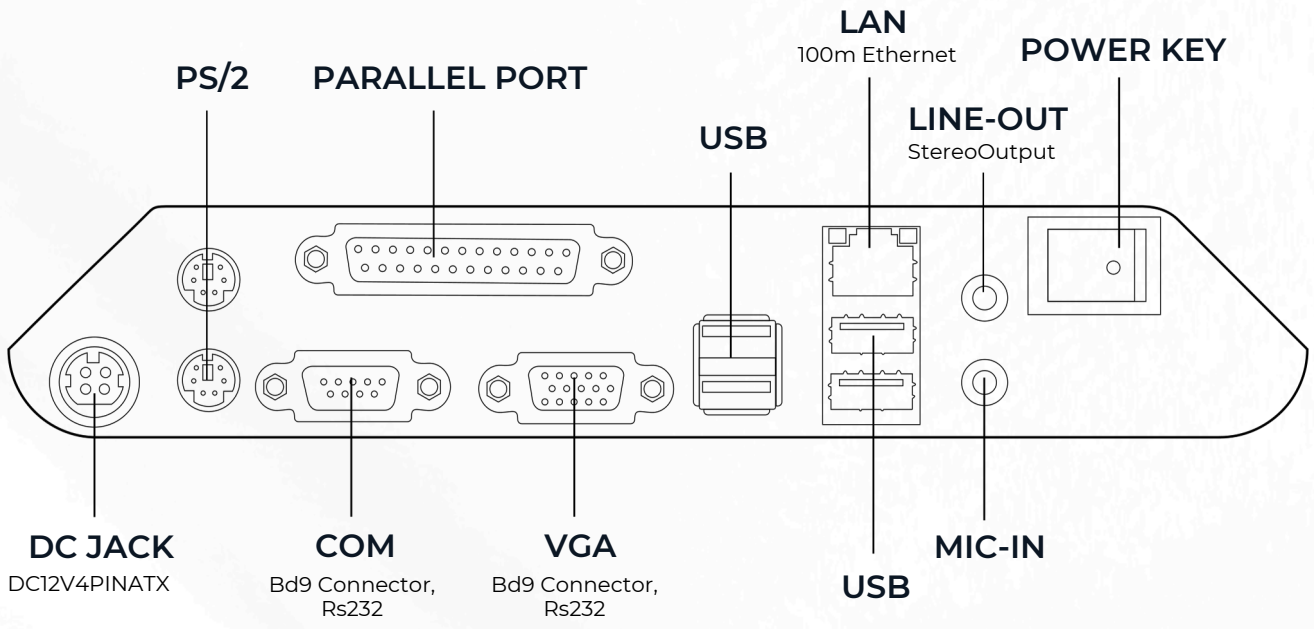
Exclusive Shop

PRODUCT FEATURES

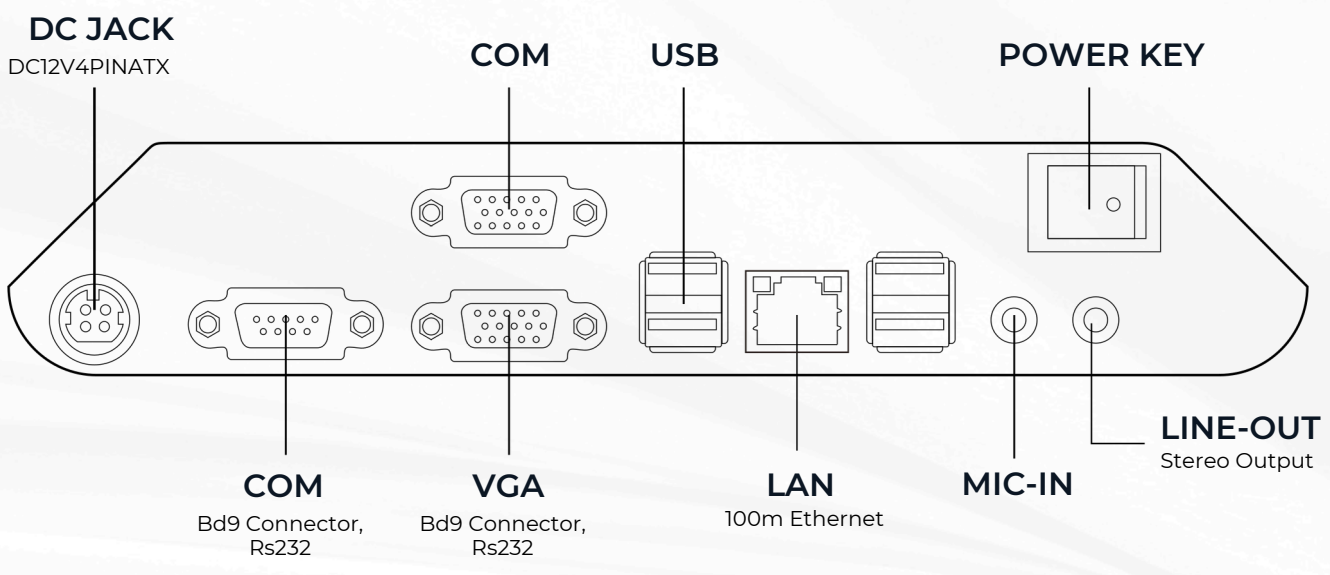


INTERFACE DETAILS

J1800 / J1900 Configuration Machine Interfaces





I3 / I5 Configuration Machine Interfaces



PRODUCT SPECIFICATIONS

Configuration	Model	GL-U2L
	CPU	Intel J1900/i5
	RAM	DDR3 8G
	Hard Disk	mSATA SSD 256gb
	O.S. Support	Pre installed Windows system
	MSR	(optional)
	Speaker	2W*2
Display	Screen Type	15.6 inch LCD, LED Backlight
	2nd Displays	VFD Customer display/11.6 inch LCD screen/ 15.6 inch LCD screen (optional)
	Touch type	Capacitive touch screen
	Resolution	1366*768
	Aspect Ratio	16:9
Interface	Audio	Audio-out*1
	LAN	RJ45 *1
	USB	USB*6
	Display	VGA*1
	COM	RS232*1
	Power DC-IN	12VDC*1
Weight	Single screen	6.41KG
	Double screen	7.25KG
Size	Single screen	46*26.5*41.5(CM)
	Double screen	46*32*51.5(CM)

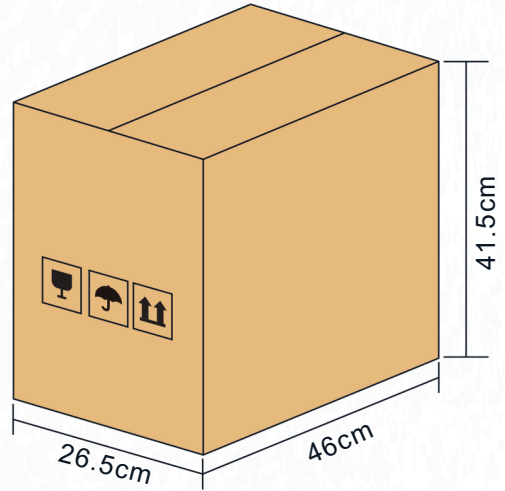
TECHNICAL SPECIFICATIONS

-  Operating temperature: 0°C ~ 50°C at 10% to 90% Humidity
-  Storage temperature: -20°C ~ 80°C at 10% to 90% Humidity

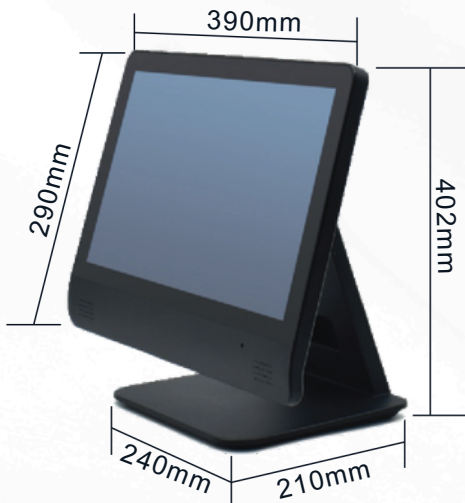
PRODUCT DIMENSIONS



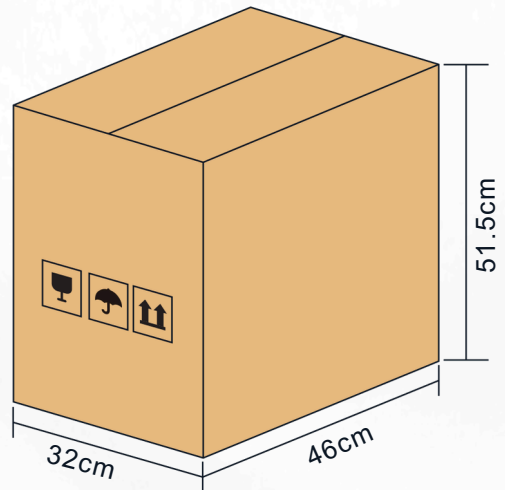
Double Screen Size



Double Screen Packaging Size



Single Screen Size



Single Screen Packaging Size



15.6"



15.6"



15.6"+11.6"



15.6"+11.6"

* The product size is measured manually, there may be some deviation please refer to the actual product.